

Human Machine Interface with 7" TFT LCD display



◆ **Features**

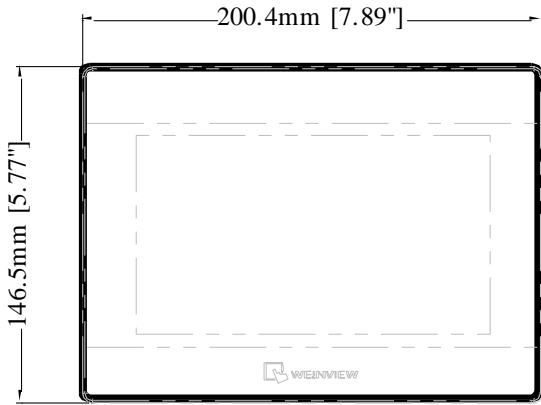
- 7" 800x480 TFT LCD, LED back light
- Fan-less cooling system
- Built-in flash memory and RTC
- IP65 compliant front panel
- Com2 RS485 supports MPI 187.5K
- Built-in Power Isolation

Display	Display	7" TFT LCD
	Resolution	800 x 480
	Brightness (cd/m ²)	350
	Contrast Ratio	500:1
	Backlight Type	LED
	Backlight Life Time	>30,000 hrs.
	Colors	65536 colors
Touch Panel	Type	4-wire Resistive Type
	Accuracy	Active Area Length(X)±2%, Width(Y)±2%
Memory	Storage	128 MB
	RAM	64 MB
Processor		32Bit RISC CPU 400MHz
I/O Port	USB Host	USB 1.1 x 1
	USB Client	USB 2.0 x 1
	Ethernet	N/A
	COM Port	COM1 RS-232 COM2 RS-485 2W/4W
RTC		Built-in
Power	Power Isolator	Built-in
	Input Power	24±20%VDC
	Power Consumption	300mA@24VDC
	Voltage Resistance	500VAC (1 minute)
	Isolation Resistance	Exceed 50MΩ at 500VDC
	Vibration Endurance	10 to 25Hz(X,Y,Z direction 2G 30 minutes)
Specification	Enclosure	Plastic
	Dimensions WxHxD	200.4 x 146.5 x 34mm
	Panel Cutout	192 x 138 mm
	Weight	Approx. 0.52 kg (1.15lbs.)
Environment	Protection Structure	NEMA4 / IP65
	Storage Temperature	-20° ~ 60°C (-4° ~ 140°F)
	Operating Temperature	0° ~ 50°C (32° ~ 122°F)
	Relative Humidity	10% ~ 90% RH (non-condensing)
	PCB Coating	N/A
Certificate		CE marked
Software		EasyBuilder8000 V4.65.06 or later versions

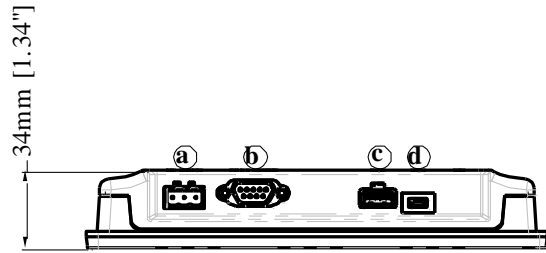
Software Features

Project Size	16MB
History Data Size (Data Sampling, Event Log, Recipe)	48MB
Download Project via USB	Yes
Download Project via Ethernet	N/A
Embed Pictures in Project	N/A
Embed PLC Tag Information in Project	Yes
Recipe Database View Database	N/A
Operation Log Operation View	N/A
Enhanced Security	N/A
Project Protection	N/A
VNC	N/A
eMail	N/A
SOE (Sequence of Events)	Yes
User-Defined Boot Screen	Yes
Circular Trend Display	N/A
Media Player	N/A

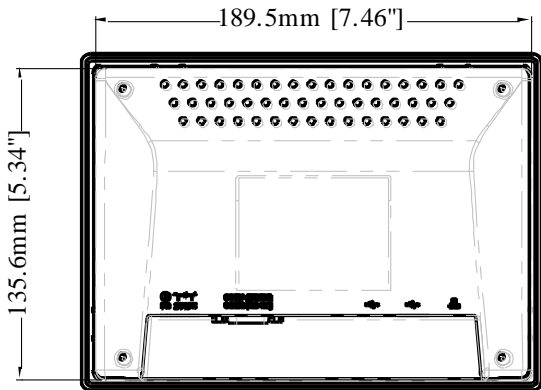
◆ Dimensions Drawing



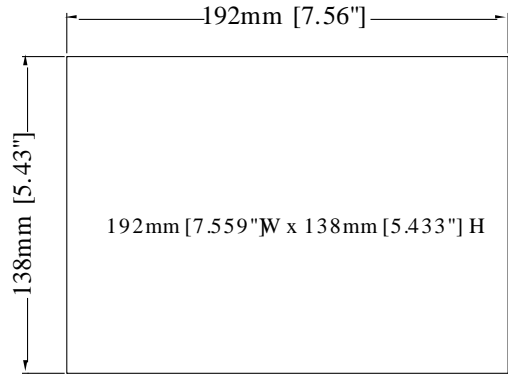
Front View



Bottom View



Rear View



Cutout Dimensions

a	Power Connector	c	USB Host
b	Com1 RS232 Com2 RS485 2W/4W	d	USB Client

Pin Assignment:

COM1 [RS232] / COM2 [RS485] 9 Pin, Male, D-sub

PIN#	Symbol	COM1 [RS232]	COM2 [RS485]	
			4W	2W
1	Rx-		Rx-	Data-
2	Rx+		Rx+	Data+
3	Tx-		Tx-	
4	Tx+		Tx+	
5	GND	GND		
6	TxD	TxD		
7	RTS	RTS		
8	CTS	CTS		
9	RxD	RxD		

Ordering Information

- ❑ **MT6070iP2:**
7" 800x480 TFT LCD HMI, built-in 128MB flash memory/64MB DDR2 RAM on board.
- ❑ **RZCMT6100:**
USB download cable / Mini USB to USB 2.0 100 cm
- ❑ **RZCT60700:**
Multi-connector cable Com1 [232] / Com2 [485]