

## Rear-Mount HMI

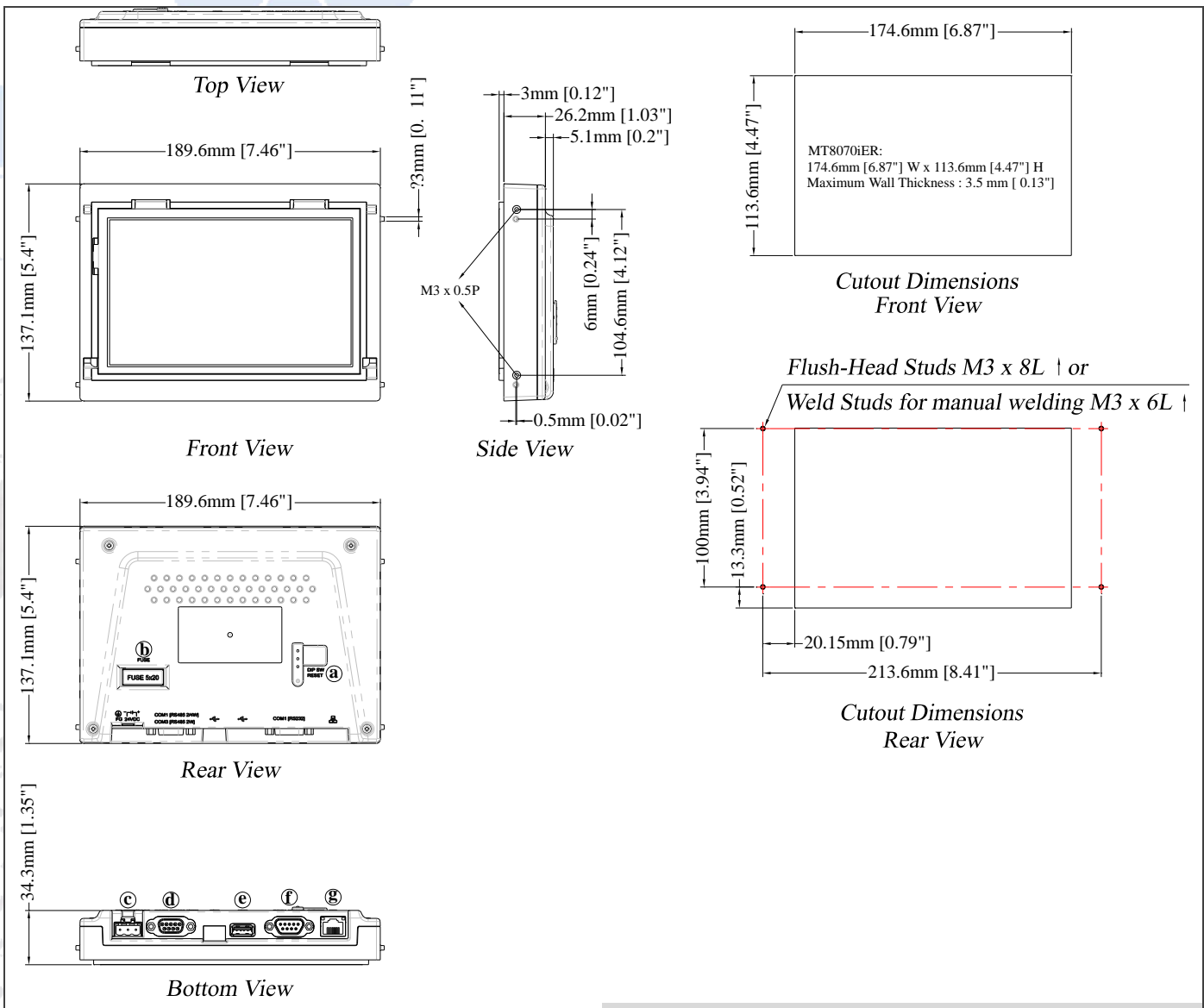


### ◆ Features

- 7" 800x480 TFT LCD, LED Backlight
- The front surface flush with the control box.
- No dirt-collecting edges and corners, very easy to clean.
- Selectable mounting holes that match different panel thicknesses.
- PCB coating process ensures high reliability to resist from corrosion in harsh environment.
- Com1 / Com3 RS485 dual isolation design ensures reliable operation in complex grounding application.
- Fan-less Cooling System
- COM1 and COM3 [RS485]2W support MPI

<b>Display</b>	Display	7" TFT
	Resolution	800 x 480
	Brightness	350 cd/m <sup>2</sup>
	Contrast Ratio	500:1
	Backlight Type	LED
	Backlight Life Time	>30,000 hr.
	Display Colors	16M
<b>Touch Panel</b>	Type	4-wire Resistive Type
	Accuracy	Active Area Length(X)±2%, Width(Y)±2%
<b>Memory</b>	Flash	128 MB
	RAM	128 MB
<b>Processor</b>		32Bit RISC Cortex A8 600MHz
<b>I/O Port</b>	USB Host	USB 2.0 x 1
	Ethernet	1 RJ45 port (10/100 Base-T)
	COM Port	Com1: RS232 / RS485 2w/4w, Com3: RS485 2w
<b>RTC</b>		Built-in
<b>Power</b>	Input Power	24±20% VDC
	Power Consumption	350mA @ 24VDC
	Voltage Resistance	500VAC (1 min)
	Isolation Resistance	Exceed 50MΩ @ 500VDC
	Vibration Endurance	10 to 25Hz(X,Y,Z direction 2G 30 minutes)
<b>Specification</b>	Enclosure	Plastic
	Dimensions WxHxD	189.6 x 137.1 x 34.3 mm
	Panel Cutout	174.6 mm x 113.6 mm
	Panel Thickness	1.5 mm [0.06"] ~ 3.5 mm [0.13"]
	Weight	Approx. 520 g
<b>Environment</b>	Protection Structure	NEMA4 / IP65*
	Storage Temperature	-20°~60°C (-4° ~ 140°F)
	Operating Temperature	0° ~ 50°C (32° ~ 122°F)
	Relative Humidity	10% ~ 90% @ 40°C (non-condensing)
	PCB Coating	Yes
<b>Certificate</b>	CE	CE marked
<b>Software</b>		EasyBuilder Pro V3.00.01 or later versions

**\*Note:** Protection Structure IP65 can be expected if you affix the Overlay on the screen of the unit and the surroundings. Weintek does not guarantee the protective structure.  
IP65: Dust tight, protected against water jets.



<b>a</b>	<b>DIP SW &amp; Reset Button</b>	<b>e</b>	<b>USB Host Port</b>
<b>b</b>	<b>Fuse</b>	<b>f</b>	<b>Com1 RS232</b>
<b>c</b>	<b>Power Connector</b>	<b>g</b>	<b>Ethernet Port</b>
<b>d</b>	<b>Com1 RS485 2w/4w, Com3 RS-485 2w</b>	<b>h</b>	

Pin Assignment: COM1 [RS232] 9 Pin, Male, D-sub

PIN#	Symbol	COM1 [RS232]
1	Not used	
2	RxD	Received Data
3	TxD	Transmitted Data
4	Not used	
5	GND	Signal Ground
6	Not used	
7	RTS	Ready to send output
8	CTS	Clear to send input
9	Not used	

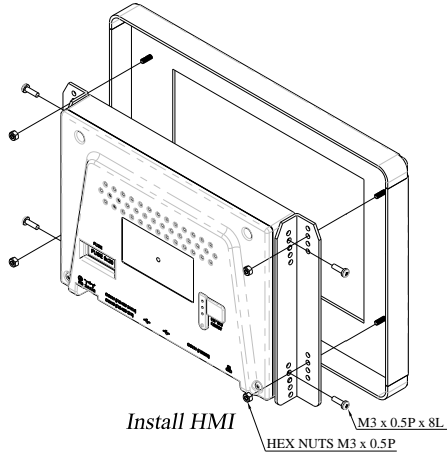
## Ordering Information

- **MT8070iER1:**  
7" 800x480 TFT LCD HMI, built-in 128MB flash memory / 128MB DDR2 RAM

COM1 / COM3 [RS485] 9 Pin, Female, D-sub

PIN#	Symbol	COM1 [RS485]		COM3 [RS485]
		2W	4W	
1	Rx-	Data-	Rx-	
2	Rx+	Data+	Rx+	
3	Tx-		Tx-	
4	Tx+		Tx+	
5	GND1	Ground1		
6	Not used			
7	Data-			Data-
8	Data+			Data+
9	GND2			Ground2

## MT8070iER Installation



Choose the mounting holes that match your panel thickness .

